



Please observe the following when setting up the device

- > For devices to be operated on the desktop, please attach the adhesive rubber footpads
- > Do not rest any objects on top of the device



- > Keep the ventilation slots on the side of the device clear of obstruction
- > In case of wall mounting, use the drilling template as supplied

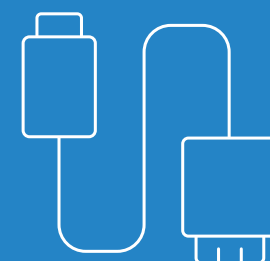


- > Rack installation with the optional LANCOM Rack Mount (not supplied)

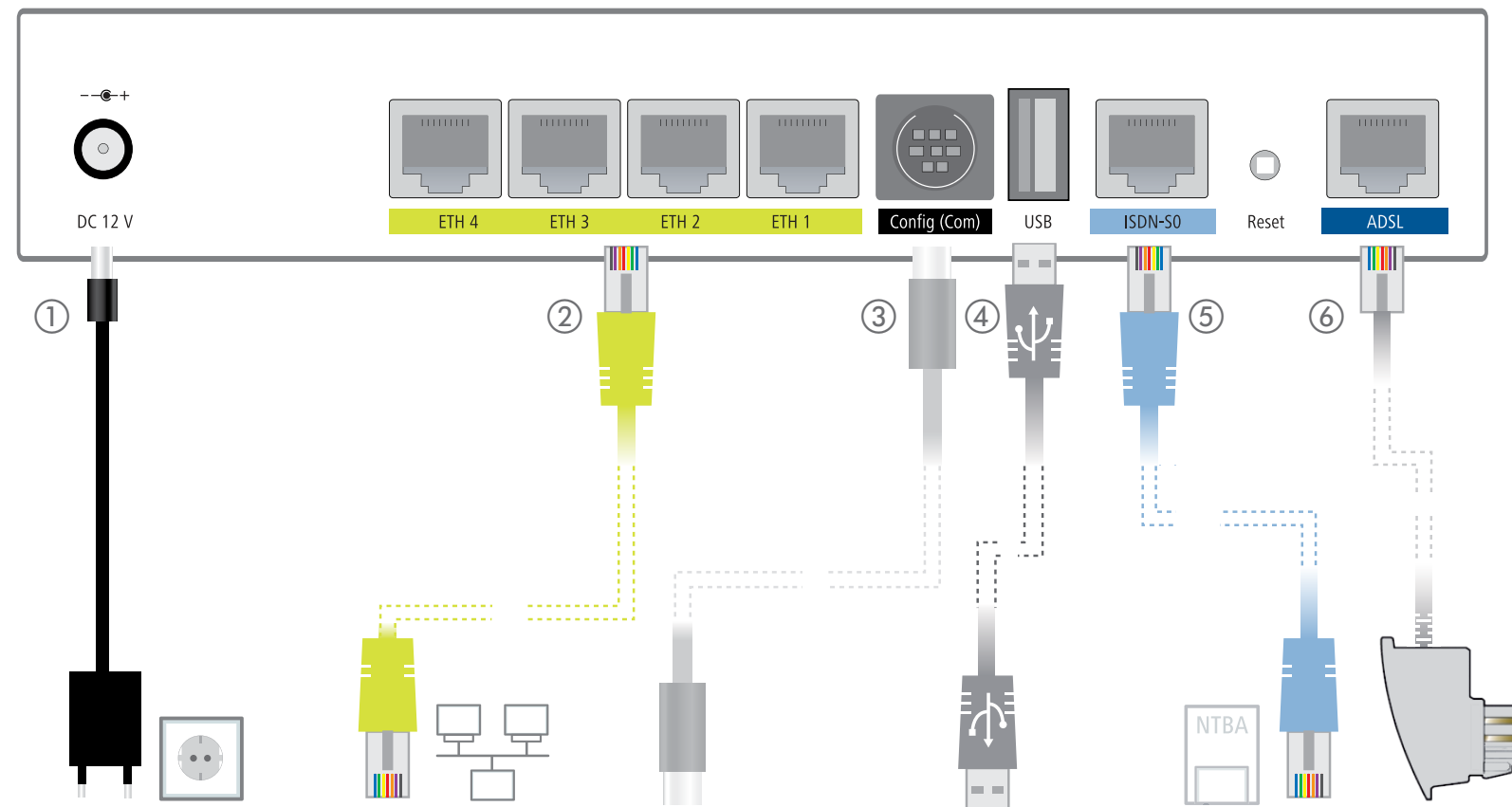


# LANCOM 1781A

## Quick Reference Guide

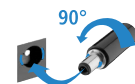


**LANCOM**  
Systems



①

**Power**  
When connecting the cable to the device, turn the bayonet connector 90° clockwise until it clicks into place.



Use only the supplied power adapter.

②

**Ethernet interface**  
Use the cable with the kiwi-colored connectors to connect one of the interfaces ETH 1 to ETH 4 to your PC or a LAN switch.

③

**Serial interface**  
You can connect the device to a PC with a configuration cable (available separately).

④

**USB interface**  
Connect a USB storage device or a USB printer to the USB interface.

⑤

**ISDN interface**  
Use the ISDN cable with the light-blue connectors to connect the ISDN interface to the NTBA if you wish to use ISDN.

⑥

**ADSL interface**  
Use the supplied DSL cable for the IP-based line to connect the ADSL interface to the provider's telephone socket. (For more information, please contact your Internet service provider.)

SETTING UP AND CONNECTING THE DEVICE



① ② ③ ④ ⑤ ⑥

① Power	
Off	Device switched off
Green, permanently*	Device operational, resp. device paired / claimed and LANCOM Management Cloud (LMC) accessible
Green/orange, blinking	Configuration password not set. Without a configuration password, the configuration data in the device is unprotected.
Red, blinking	Time or charge limit on online connections has been reached
1x green inverse blinking*	Connection to the LMC active, pairing OK, device not claimed
2x green inverse blinking*	Pairing error, resp. LMC activation code not available
3x green inverse blinking*	LMC not accessible, resp. communication error

② Online	
Off	WAN connection not active
Green, permanently	WAN connection active
Red, permanently	Error establishing the WAN connection

③ ADSL	
Off	ADSL interface not active
Green, permanently	ADSL connection operational
Green, flickering	ADSL data transmission
Red, flickering	ADSL transmission error
Red/orange, blinking	ADSL hardware error

④ ISDN	
Off	Interface deactivated
Green, permanently	D-channel active
Orange, permanently	B-channel active
Green, flickering	ISDN data transmission
Red, flickering	ISDN transmission error
Red/orange, blinking	ISDN hardware error

⑤ ETH	
Off	No networking device attached
Green, permanently	Connection to network device operational, no data traffic
Green, flickering	Data traffic

⑥ VPN	
Off	VPN connection inactive
Green, permanently	VPN connection active
Green, blinking	Establishing VPN connections

Hardware	
Power supply	12 V DC, external power adapter (230 V) with bayonet connector to secure against disconnection
Power consumption	Max. ca.10 W
Environment	Temperature range 5–40 °C; humidity 0–95 %, non-condensing
Housing	Robust synthetic housing, rear connectors, ready for wall mounting, Kensington lock; measures 210 x 45 x 140 mm (W x H x D)
Number of fans	None; fanless design, no rotating parts, high MTBF

Interfaces	
ADSL	> Compliant to: ADSL2+ as per ITU G.992.5 Annex A / Annex B / Annex J / Annex M, ADSL2 according to ITU G.992.3 Annex A / Annex B / Annex J / Annex M, ADSL according to ITU G.992.1 Annex A / Annex B > Supports one virtual ATM circuit (VPI, VCI pair) at a time
ETH	4 individual 10 / 100 / 1000 Mbps Gigabit Ethernet ports in switch-mode by default; up to three can be configured as additional WAN ports. Ethernet ports can be electrically disabled in the LCOS configuration.
USB	USB 2.0 Hi-Speed host port for connecting USB printers (USB print server), serial devices (COMport servers), USB data media (FAT file system), or supported UMTS USB modems
ISDN	ISDN S <sub>T</sub> bus (BRI)
Serial Interface	Serial configuration interface / COM port (8-pin Mini-DIN): 9,600–115,000 baud, suitable for optional connection of analog / GPRS modems. Supports internal COM-port server and transparent asynchronous serial-data transfer via TCP.

WAN protocols	
ADSL, Ethernet	PPPoE, Multi-PPPoE, ML-PPP, PPTP (PAC or PNS) and IPoE (with or without DHCP), RIP-1, RIP-2, VLAN, GRE, L2TPv2 (LAC or LNS), IPv6 over PPP (IPv6 and IPv4/IPv6 dual stack session), IPv6oE (autoconfiguration, DHCPv6 or static)
ISDN	1TR6, DSS1 (Euro ISDN), PPP, X75, HDLC, ML-PPP, V.110 / GSM / HSCSD

**Declaration of Conformity**  
Hereby, LANCOM Systems declares that this device is in compliance with Directives 2014/30/EU and 2014/35/EU. The full text of the EU declaration of conformity is available at the following internet address: [www.lancom-systems.com/ce/](http://www.lancom-systems.com/ce/)

Package content	
Documentation	Hardware Quick Reference (DE/EN), Installation Guide (DE/EN)
Cable	Ethernet cable, 3 m (kiwi-colored connectors), 1 DSL cable for an IP-based line, 4.25 m; ISDN cable, 3 m (light-blue connectors)
Power adapter	External power adapter (230 V), NEST 12 V / 1.5 A DC/S, coaxial power connector 2.1 / 5.5 mm bayonet, LANCOM item no. 111301 (EU, 230 V); LANCOM item no. 111302 (UK, 230 V)

Specific device properties are not available to LANCOM CC devices operating in CC mode according to the "Operational User Guidance".

This product contains separate open-source software components which are subject to their own licenses, in particular the General Public License (GPL). The license information for the device firmware (LCOS) is available on the device's WEBconfig interface under "Extras > License information". If the respective license demands, the source files for the corresponding software components will be made available on a download server upon request.

\*) The additional power LED statuses are displayed in 5-seconds rotation if the device is configured to be managed by the LANCOM Management Cloud.