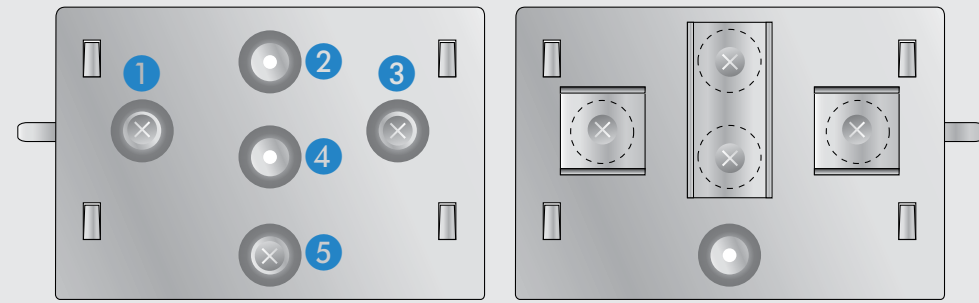


# LANCOM IAP-4G+

## Quick Reference Guide



### Wall mounting

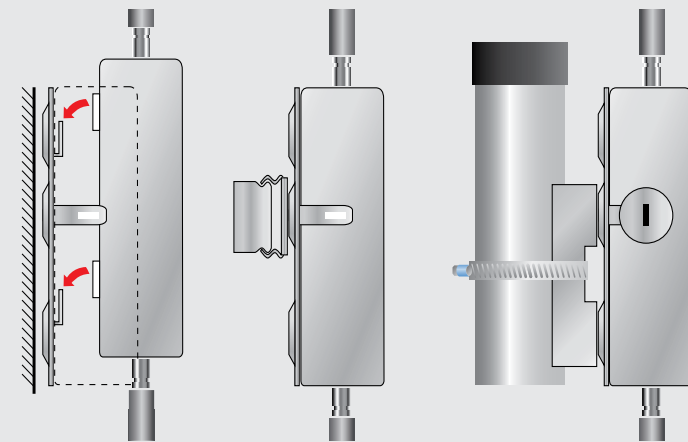
Use the supplied screws to fix the back plate to the wall using the holes 1, 3 and 5.

### Top-hat rail mounting\*

Using the supplied screws, attach the two top-hat rail clips to the holes 1 and 3. Do not yet tighten the screws completely; leave some play to adjust the alignment of the clips.

### Pole mounting\*

For mast mounting, use the supplied screws to fix the clamp profile through the holes 2 and 4.



Align the four openings on the rear of the device housing with the clips on the base plate and snap-fit the device.

### Top-hat rail mounting only

Snap the two top-hat rail clips onto the required position on the top-hat rail.

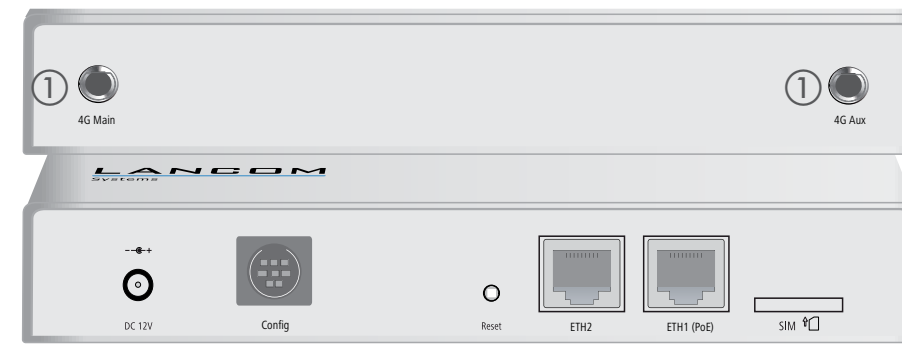
### Mast mounting only

Insert the supplied worm-drive clip (or one suitable for your pole diameter) around the mounting clamp profile. Finally, adjust the worm-drive clip to fix the device in the desired position on the mast.

### Optional: Secure with a Kensington lock

The left side of the device features a slot for a Kensington lock. The Kensington lock securely fixes the device to the mounting plate.

\* With the IAP Mount (item no. 61647), available separately



- ②
- ③
- ④
- ⑤
- ⑥

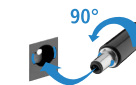
### ① LTE-/ 4G antennas

Screw the supplied antennas onto the terminals 4G Main and 4G Aux.



### ② Power

After connecting the cable to the device, turn the connector 90° clockwise to prevent it from accidental unplugging. Use only the supplied power adapter.



### ③ Serial configuration interface

Configuring the device via the serial interface requires a serial configuration cable (available as an accessory).



### ④ Reset button

Pressed up to 5 seconds: device restart  
Pressed until first flashing up of all LEDs: configuration reset and device restart



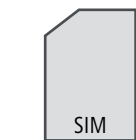
### ⑤ Ethernet interfaces

Use the Ethernet cable to connect one of the interfaces ETH1 or ETH2 to your PC or a LAN switch. Alternatively, you can connect one of the ETH interfaces to the PoE Injector's 'Power Out' connector.



### ⑥ SIM card slot

Slide the SIM card into the slot of the SIM card holder. Please note the marking for the correct position of the card.



To prevent the device from overvoltage damage, an overvoltage-protected power supply is strongly recommended. Antennas are only to be attached or exchanged when the device is switched off. Mounting or demounting antennas while the device is switched on may cause the destruction of the Wi-Fi module!



Before initial startup, please make sure to take notice of the information regarding the intended use in the enclosed installation guide! Operate the device only with a professionally installed power supply at a nearby power socket that is freely accessible at all times.

MOUNTING AND CONNECTING THE DEVICE



- ①
- ②
- ③
- ④
- ⑤

### ① ETH1, ETH2

Off	No networking device attached
Green, permanently*	Connection to network device operational, no data traffic
Green, flickering	Data transmission
1x green inverse blinking*	Connection to the LMC active, pairing OK, device not claimed
2x green inverse blinking*	Pairing error, resp. LMC activation code not available
3x green inverse blinking*	LMC not accessible, resp. communication error

### ② VPN

Off	VPN connection inactive
Green, permanently	VPN connection active
Green, flashing	VPN connecting

### ③ Signal

Off	No cellular reception
Green, permanently	Good signal strength, greater than or equal to -70 dB
Orange, permanently	Medium signal strength, field strength between -86 and -71 dB
Orange, blinking	Low signal strength, field strength less than -87 dB

### ④ 4G

Off	Cellular interface disabled
Green, permanently	Connection to cellular network active
Green, flickering	Cellular data transfer
Orange, permanently	Logon to cellular network successful
Orange, blinking	Logging on to cellular network
Red, permanently	Hardware error/module unavailable
Red / green, blinking	SIM card error (PIN)
Red / orange, blinking	Uploading module firmware

### ⑤ Power

Off	Device switched off
Green, permanently	Device operational
Green / orange, blinking	Configuration password not set. Without a configuration password, the configuration data in the device is unprotected.
Red, blinking	Charge or time limit reached

\*) The additional power LED statuses are displayed in 5-seconds rotation if the device is configured to be managed by the LANCOM Management Cloud.

Hardware	
Power supply	12 V DC, external power adapter (230 V) with bayonet connector to secure against disconnection, alternatively via Power-over-Ethernet compliant to IEEE 802.3at
Power consumption	Max. power consumption: 12 W (12 V), 12 W (PoE)
Environment	Temperature range -20 to +50 °C; humidity 0-95 %; non-condensing
Housing	Robust metal housing, IP 50 protection class, for wall, mast and top-hat rail mounting, 210 mm x 152 mm x 32 mm (length/width/depth), weighs approx. 1.1 kg (without mounting materials)

Interfaces	
ETH1	10 / 100 / 1000 Mbps auto-sensing, PoE as per IEEE 802.3at
ETH2	10 / 100 / 1000 Mbps, autosensing
External antenna connectors	Two SMA connectors
Config (Com)	Serial configuration interface / COM port (10-pin connector): 19,200 - 115,000 baud

**Declaration of Conformity**  
Hereby, LANCOM Systems GmbH | Adenauerstrasse 20/B2 | D-52146 Wuerselen, declares that this device is in compliance with Directives 2014/30/EU, 2014/53/EU, 2014/35/EU, 2011/65/EU, and Regulation (EC) No. 1907/2006. The full text of the EU Declaration of Conformity is available at the following Internet address: [www.lancom-systems.com/doc](http://www.lancom-systems.com/doc)

Package content	
Documentation	Quick Reference Guide(DE/EN)
Cable**	Ethernet cable, 3m
Antennas	Two 2 dBi dipole UMTS / LTE antennas (850-960 Mhz and 1700-2200 Mhz)
Power adapter**	External power supply adapter (230 V) 12 V / 2 A DC/S; barrel / bayonet (EU), LANCOM item no. 111303 (not for WW devices)

\*\* Not included with bulk items

This product contains separate open-source software components which are subject to their own licenses, in particular the General Public License (GPL). The license information for the device firmware (LCOS) is available on the device's WEBconfig interface under "Extras > License information". If the respective license demands, the source files for the corresponding software components will be made available on a download server upon request.